



C3D(V)型车载用 DC-Link 电容器(105°C)

Type C3D(V)DC-Link capacitor for Automotive (105°C)

产品特点 Features

金属化聚丙烯安全膜结构

Metallized polypropylene segmented film structure

良好的电气性能：低 ESR、自感小、有自愈性、寿命长

Excellent electric property: Low ESL & Low ESR、Self-healing、Long lifetime

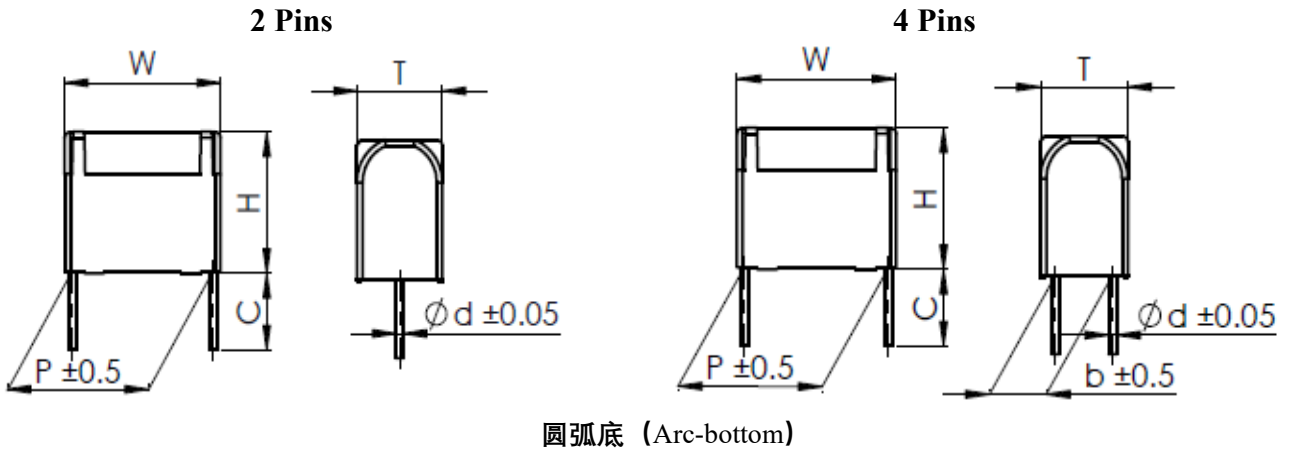
塑料外壳封装(UL94 V-0),阻燃环氧树脂填充

Plastic case (UL94 V-0), filled with flame retardant epoxy resin

技术参数 Specifications

引用标准 Reference Standard	GB/T17702(IEC 61071) , AEC-Q200D-2010
气候类别 Climatic Category	40/105/56
工作温度 (外壳) Operating temperature (case)	-40°C ~ 105°C ($\theta_{hs} \leq 105^\circ\text{C}$)
额定电压 Voltage Range	450Vdc~1 000Vdc
容量范围 Capacitance Range	1.0uF ~ 160uF
容量偏差 Capacitance Tolerance	J ($\pm 5\%$), K ($\pm 10\%$)
耐电压 Voltage Proof	1.5U _N (10s)
绝缘电阻 Insulation Resistance (IR×C _N)	$\geq 10\ 000\text{s}$ (20°C, 100V, 1min)
过电压 Over Voltage	1.1U _N (30% of on-load-dur.)
	1.15 U _N (30min/day)
	1.2 U _N (5min/day)
	1.3 U _N (1min/day)
自感 Self Inductance(Ls)	< 1nH per mm of lead spacing
最大峰值电流 Maximum peak current \hat{i} (A)	$\hat{i} = C \cdot dV/dt$
预期寿命 Expected lifetime	100 000h at U _N , $\theta_{hs} = 70^\circ\text{C}$

外形尺寸 Dimensions draft



标准品 Standard product

600Vdc							
C _N (μF)	W	H	T	P	b	d	Part number
5	32.0	28.0	14.0	27.5	-	0.8	D3D1U505+BV0C00***
14	41.0	33.5	18.5	37.5	-	1.0	D3D1U146+FV0C00***
70	57.0	50.0	35.0	52.5	20.3	1.2	D3D1U706+MVAC00***

800Vdc							
C _N (μF)	W	H	T	P	b	d	Part number
4	32.0	28.0	17.0	27.5	-	0.8	D3D2K405+BV0C00***
15	41.0	37.0	22.0	37.5	-	1.0	D3D2K156+FV0C00***
63	57.0	50.0	40.0	52.5	20.3	1.2	D3D2K636+MVAC00***

注：其他规格可联系技术服务人员

Note: Other specifications can be contacted with the Engineer

预期寿命 (典型曲线) Lifetime expectancy (typical curve)

